

# 5

## LINEACINQUE



### LINEA CINQUE

Pannelli imbottiti e pannelli rigidi rivestiti, con eco-pelle altamente selezionata, possono essere utilizzati in diverse soluzioni di arredo decorativo e funzionale. I pannelli sono di varie misure: vengono posizionati a parete con un semplice e rapido sistema di montaggio.

I banchi cassa possono essere foderati con pannelli imbottiti. Mensole in legno e plexiglas, cassettiere ed accessori completano questa linea di arredo.

Questo sistema riscontra interesse non solo nei negozi di moda, ma anche nell'arredo di spazi dedicati alla ristorazione o all'intrattenimento.

### LINE FIVE

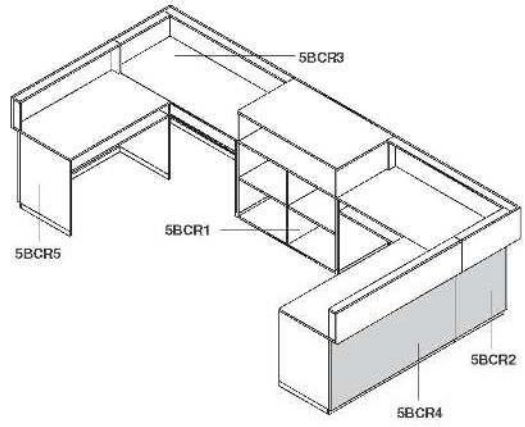
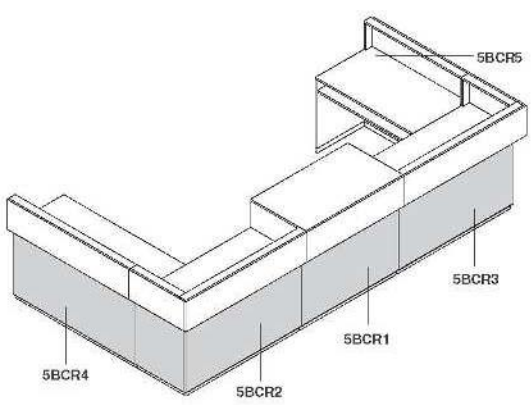
*Padded or rigid covered panels in selected synthetic leathers suitable for many different furnishing solutions of both functional and ornamental use. These panels can be made of various sizes and are easy to assemble thanks to their simple wall fixing.*

*Cash counters can be covered by padded panels. This furniture line includes wood, plexiglass shelves, drawers units and accessories.*

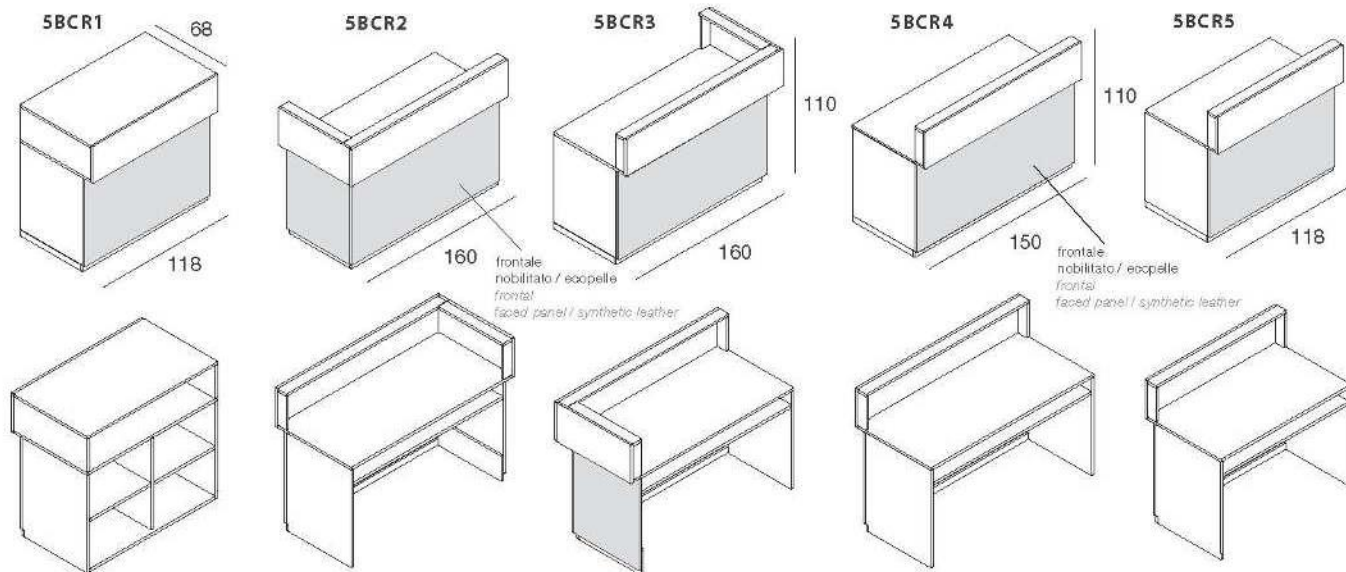
*This system offers solutions both for fashion boutiques and for restaurant and entertainment areas.*



FRONTALE RIGIDO  
RIGID FRONTAL



**BANCHI CASSA CON FRONTE RIVESTITO**  
**CASH COUNTERS WITH COATED FRONTAL**



**5BCR1/N**  
 nobilitato  
 faced panel  
 L118 x P68 x H110 cm

**5BCR2/N**  
 nobilitato  
 faced panel  
 L160 x P68 x H110 cm

**5BCR3/N**  
 nobilitato  
 faced panel  
 L160 x P68 x H110 cm

**5BCR4/N**  
 nobilitato  
 faced panel  
 L150 x P68 x H110 cm

**5BCR5/N**  
 nobilitato  
 faced panel  
 L118 x P68 x H110 cm

**5BCS1/NEP**  
 nobilitato  
 ecopelle st. cocodrillo  
 faced panel  
 synth. croc printed leather  
 L118 x P68 x H110 cm

**5BCR2/NEP**  
 nobilitato  
 ecopelle st. cocodrillo  
 faced panel  
 synth. croc printed leather  
 L160 x P68 x H110 cm

**5BCR3/NEP**  
 nobilitato  
 ecopelle st. cocodrillo  
 faced panel  
 synth. croc printed leather  
 L160 x P68 x H110 cm

**5BCR4/NEP**  
 nobilitato  
 ecopelle st. cocodrillo  
 faced panel  
 synth. croc printed leather  
 L150 x P68 x H110 cm

**5BCR5/NEP**  
 nobilitato  
 ecopelle st. cocodrillo  
 faced panel  
 synth. croc printed leather  
 L118 x P68 x H110 cm

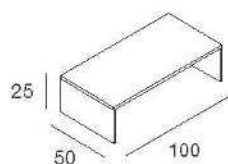
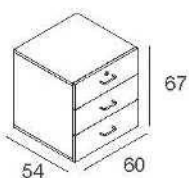
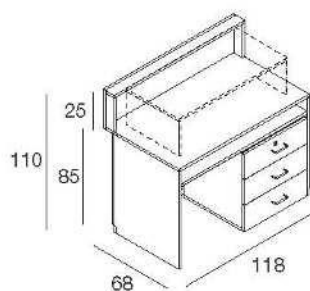
**5BCS1/NEPL**  
 nobilitato  
 ecopelle st. cocodrillo lucido  
 faced panel  
 synth. croc printed glossy leather  
 L118 x P68 x H110 cm

**5BCR2/NEPL**  
 nobilitato  
 ecopelle st. cocodrillo lucido  
 faced panel  
 synth. croc printed glossy leather  
 L160 x P68 x H110 cm

**5BCR3/NEPL**  
 nobilitato  
 ecopelle st. cocodrillo lucido  
 faced panel  
 synth. croc printed glossy leather  
 L160 x P68 x H110 cm

**5BCR4/NEPL**  
 nobilitato  
 ecopelle st. cocodrillo lucido  
 faced panel  
 synth. croc printed glossy leather  
 L150 x P68 x H110 cm

**5BCR5/NEPL**  
 nobilitato  
 ecopelle st. cocodrillo lucido  
 faced panel  
 synth. croc printed glossy leather  
 L118 x P68 x H110 cm



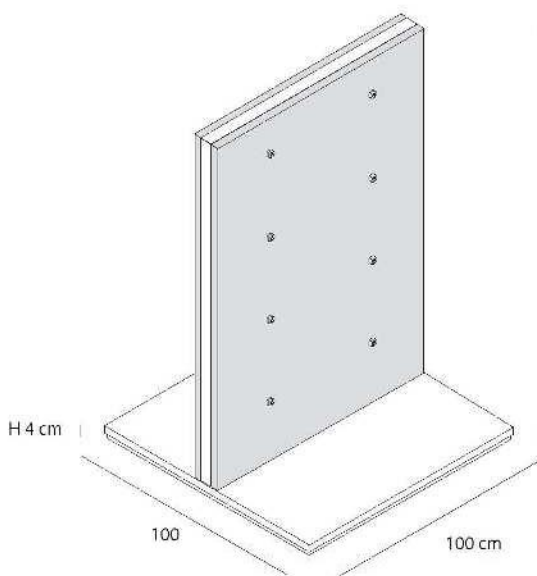
**5CAS/N**  
 cassettera  
 nobilitato  
 chest of drawers  
 faced panel  
 L60 x P54 x H67 cm

**5PR/N**  
 piano rialzato  
 nobilitato  
 raised surface  
 faced panel  
 L100 x P50 x H25 cm



**ISOLA AUTOPORTANTE**  
**FREESTANDING ISLAND**

**FRONTALE RIGIDO**  
**RIGID FRONTAL**



**5ISR/EP**

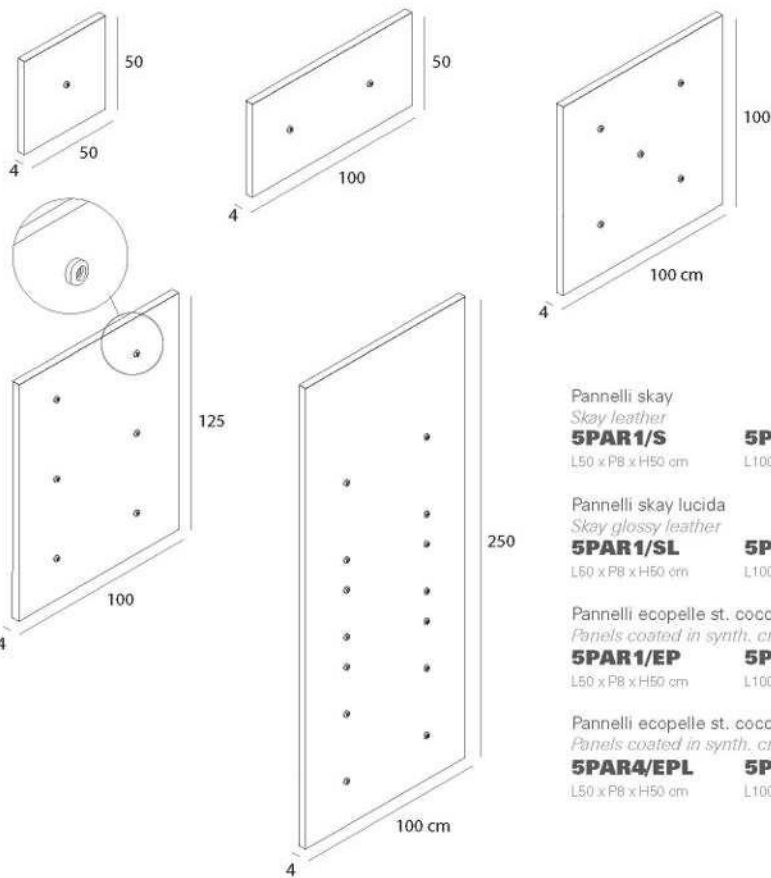
isola  
base e struttura in nobilitato  
frontali in ecopelle st., coccodrillo  
isola  
base and structure in faced panel  
fronts in synthetic croc printed leather  
L100 x P100 x H150 cm

**5ISR/EPL**

isola  
base e struttura in nobilitato  
frontali in ecopelle st., coccodrillo lucido  
isola  
base and structure in faced panel  
fronts in synthetic croc printed glossy leather  
L100 x P100 x H150 cm



**PANNELLI RIGIDI**  
**RIGID PANELS**



Pannelli skay

*Skay leather*

**5PAR1/S**

L50 x P8 x H50 cm

**5PAR2/S**

L100 x P8 x H50 cm

**5PAR3/S**

L100 x P8 x H100 cm

**5PAR4/S**

L100 x P8 x H125 cm

**5PAR5/S**

L100 x P8 x H250 cm

Pannelli skay lucida

*Skay glossy leather*

**5PAR1/SL**

L50 x P8 x H50 cm

**5PAR2/SL**

L100 x P8 x H50 cm

**5PAR3/SL**

L100 x P8 x H100 cm

**5PAR4/SL**

L100 x P8 x H125 cm

**5PAR5/SL**

L100 x P8 x H250 cm

Pannelli ecopelle st. coccodrillo

*Panels coated in synth. croc printed leather*

**5PAR1/EP**

L50 x P8 x H50 cm

**5PAR2/EP**

L100 x P8 x H50 cm

**5PAR3/EP**

L100 x P8 x H100 cm

**5PAR4/EP**

L100 x P8 x H125 cm

**5PAR5/EP**

L100 x P8 x H250 cm

Pannelli ecopelle st. coccodrillo lucido

*Panels coated in synth. croc printed glossy leather*

**5PAR4/EPL**

L50 x P8 x H50 cm

**5PAR4/EPL**

L100 x P8 x H50 cm

**5PAR4/EPL**

L100 x P8 x H100 cm

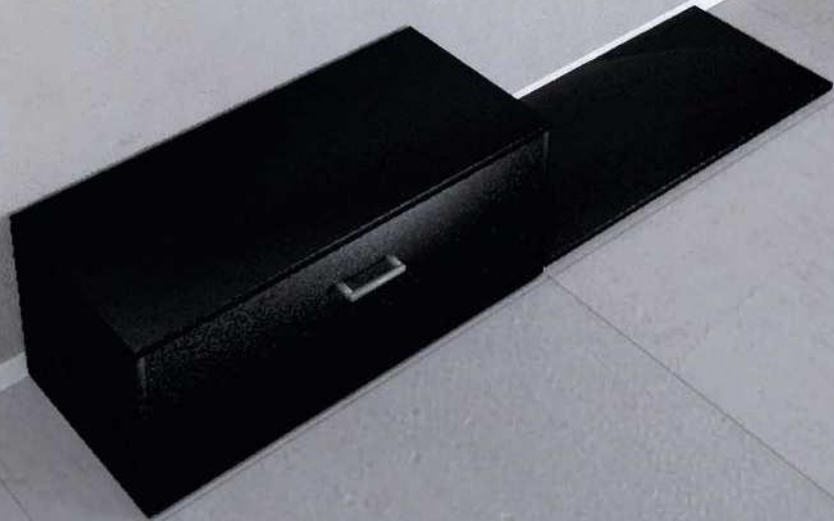
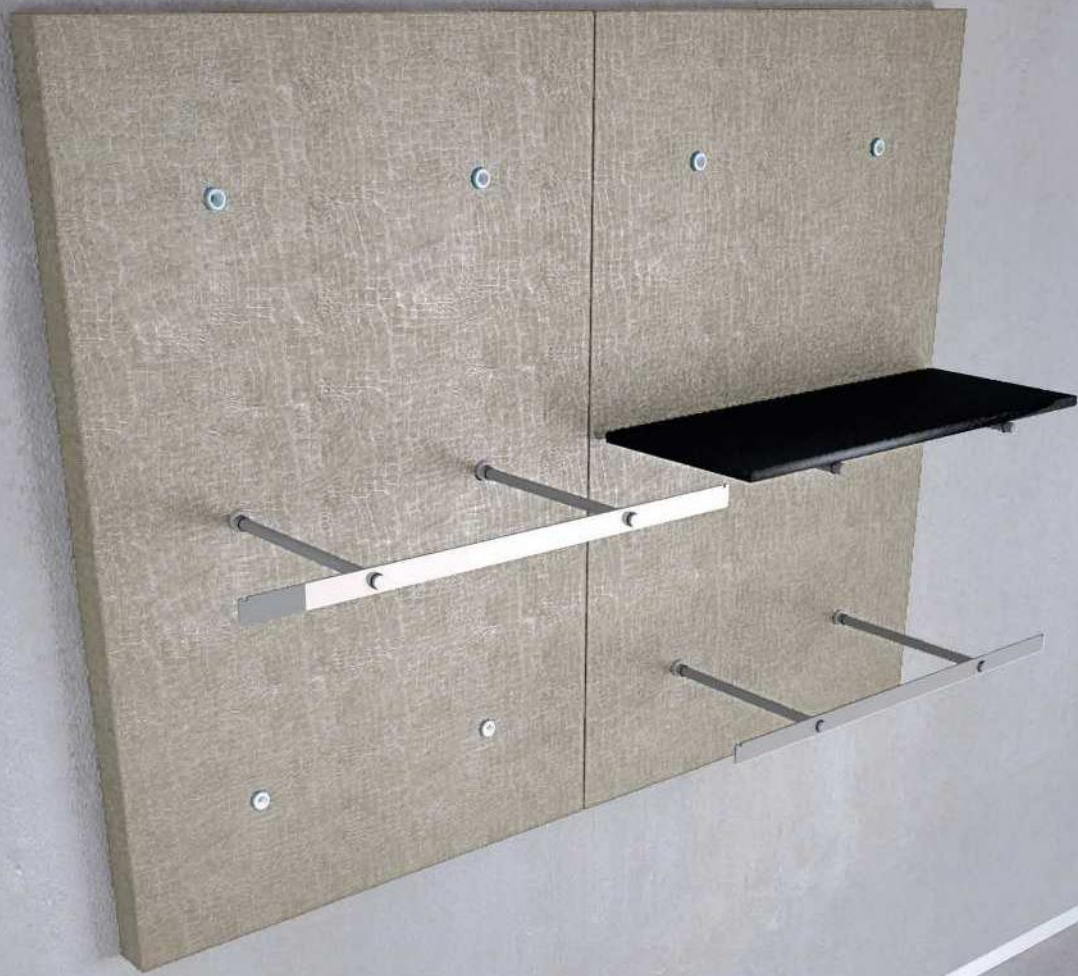
**5PAR4/EPL**

L100 x P8 x H125 cm

**5PAR4/EPL**

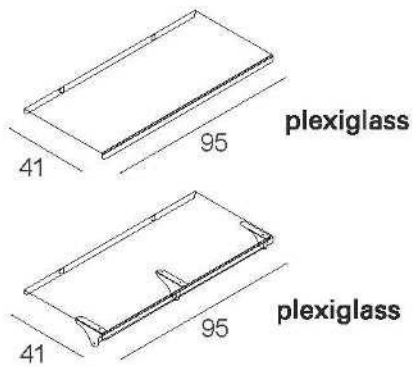
L100 x P8 x H250 cm

FRONTALE RIGIDO  
RIGID FRONTAL



**ACCESSORI**  
**ACCESSORIES**

**mensole - shelves**



**5ME/PLEX**

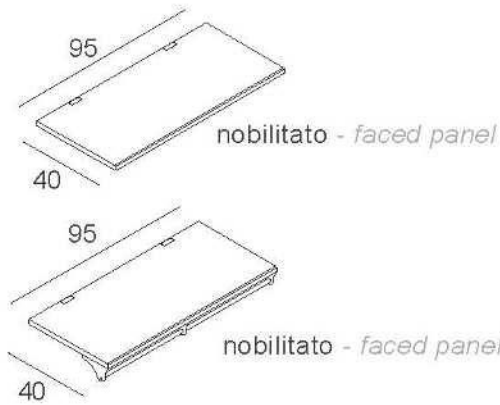
mensole  
plex trasparente – satinato  
*shelves*  
*transparent or satinized plexiglass*  
L95 x P41 cm - sp. 6 mm

**5MEA/PLEX**

mensole con appenderia  
plex trasparente – satinato  
*shelf with hanger*  
*transparent or satinized plexiglass*  
L95 x P41 cm - sp. 6 mm



max 25 kg / 55 lbs



**5ME/N**

mensole nobilitato  
*shelf*  
*faced panel*  
L95 x P40 cm - sp. 18 mm

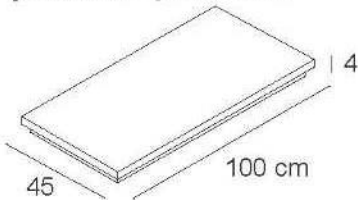
**5MEA/PLEX**

mensole con appenderia nobilitato  
*shelf with hanger*  
*faced panel*  
L95 x P40 cm - sp. 18 mm



max 25 kg / 55 lbs

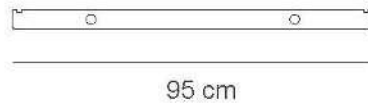
**pedana - platform**



**5PED/N**

pedana nobilitato rialzata con zoccolo  
*platform*  
*faced panel*  
*raised with baseboard*  
L100 x P45 x H4 cm

**barra appenderia - crossbar**



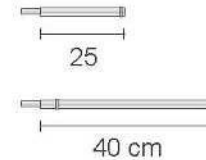
**5BAP**

barra appenderia metallo  
*crossbar*  
*metal*  
L95 x H3,5 cm - sp. 5 mm



max 20 kg / 44 lbs

**perni - pins**



**5PP**

perno app frontale alluminio  
*frontal hanging pin*  
*aluminium*  
L25 cm Ø 20 mm

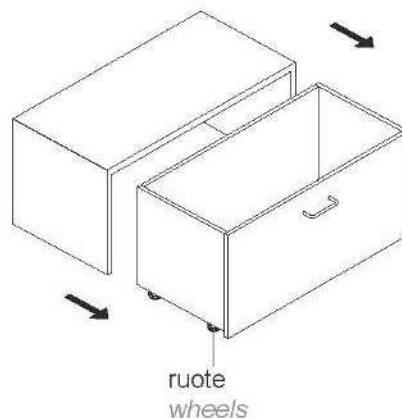
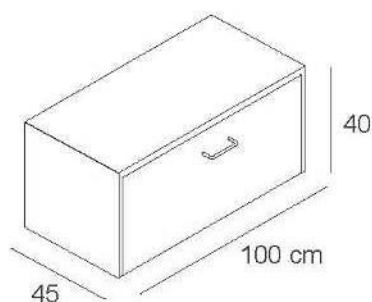
**5PG**

coppia perni alluminio  
*pair of supporting pins*  
*aluminium*  
L40 cm Ø 20 mm



max 20 kg / 44 lbs

**cassettiera - chest of drawer**

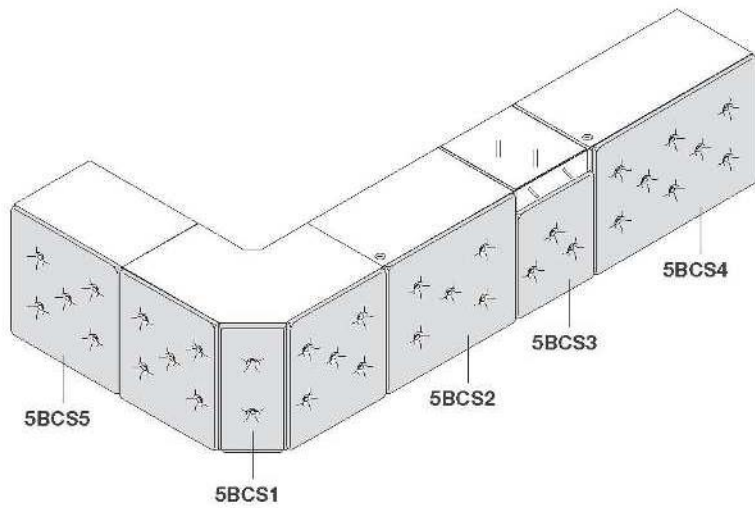


**5CA/N**

cassettiera nobilitato  
*chest of drawers*  
*faced panel*  
L100 x P45 x H40 cm

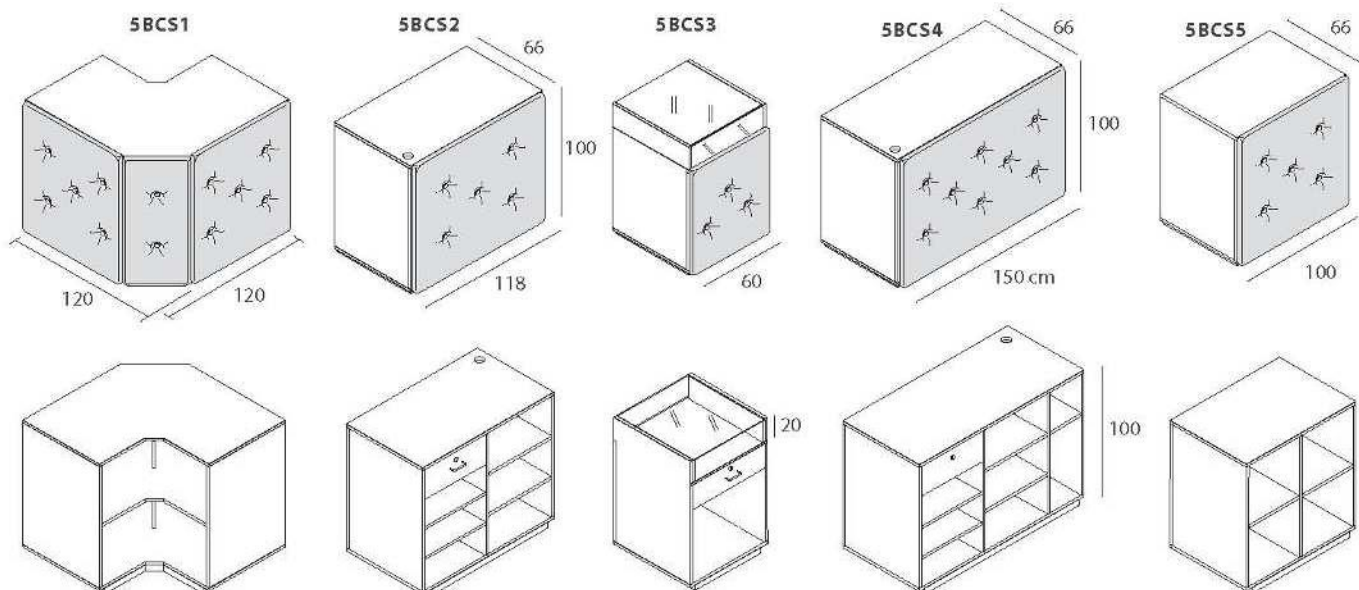


FRONTALE IMBOTTITO  
PADDED FRONTAL





**BANCHI CASSA CON FRONTALE IMBOTTITO**  
**CASH COUNTERS WITH PADDED FRONTAL**



**5BCS1/NS**

struttura in nobilitato  
 frontali skay  
 structure in faced panel  
 frontals in skay leather  
 L120 x P120 x H100 cm

**5BCS1/NSL**

struttura in nobilitato  
 frontali skay lucida  
 structure in faced panel  
 frontals in skay glossy leather  
 L120 x P120 x H100 cm

**5BCS1/NEP**

struttura in nobilitato  
 frontali ecopelle st. coccodrillo  
 structure in faced panel  
 frontals in synth. croc printed  
 leather  
 L120 x P120 x H100 cm

**5BCS1/NEPL**

struttura in nobilitato  
 frontali ecopelle st. coccodrillo lucido  
 structure in faced panel  
 frontals in synth. croc printed  
 glossy leather  
 L120 x P120 x H100 cm

**5BCS2/NS**

struttura in nobilitato  
 frontali skay  
 structure in faced panel  
 frontals in skay leather  
 L118 x P66 x H100 cm

**5BCS2/NSL**

struttura in nobilitato  
 frontali skay lucida  
 structure in faced panel  
 frontals in skay glossy leather  
 L118 x P66 x H100 cm

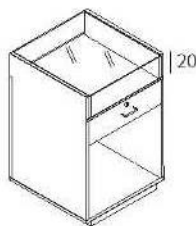
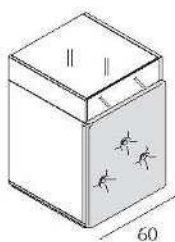
**5BCS2/NEP**

struttura in nobilitato  
 frontali ecopelle st. coccodrillo  
 structure in faced panel  
 frontals in synth. croc printed  
 leather  
 L118 x P66 x H100 cm

**5BCS2/NEPL**

struttura in nobilitato  
 frontali ecopelle st. coccodrillo lucido  
 structure in faced panel  
 frontals in synth. croc printed  
 glossy leather  
 L118 x P66 x H100 cm

**5BCS3**



**5BCS3/NS**

struttura in nobilitato  
 frontali skay  
 structure in faced panel  
 frontals in skay leather  
 L60 x P66 x H100 cm

**5BCS3/NSL**

struttura in nobilitato  
 frontali skay lucida  
 structure in faced panel  
 frontals in skay glossy leather  
 L60 x P66 x H100 cm

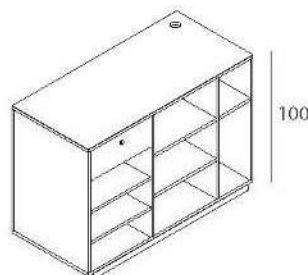
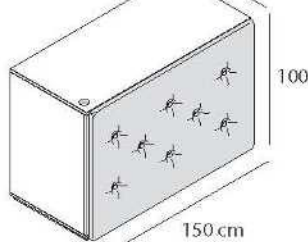
**5BCS3/NEP**

struttura in nobilitato  
 frontali ecopelle st. coccodrillo  
 structure in faced panel  
 frontals in synth. croc printed  
 leather  
 L60 x P66 x H100 cm

**5BCS3/NEPL**

struttura in nobilitato  
 frontali ecopelle st. coccodrillo lucido  
 structure in faced panel  
 frontals in synth. croc printed  
 glossy leather  
 L60 x P66 x H100 cm

**5BCS4**



**5BCS4/NS**

struttura in nobilitato  
 frontali skay  
 structure in faced panel  
 frontals in skay leather  
 L150 x P66 x H100 cm

**5BCS4/NSL**

struttura in nobilitato  
 frontali skay lucida  
 structure in faced panel  
 frontals in skay glossy leather  
 L150 x P66 x H100 cm

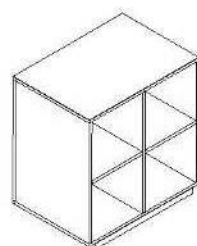
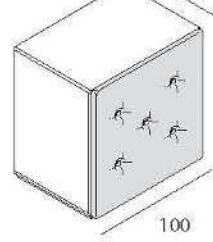
**5BCS4/NEP**

struttura in nobilitato  
 frontali ecopelle st. coccodrillo  
 structure in faced panel  
 frontals in synth. croc printed  
 leather  
 L150 x P66 x H100 cm

**5BCS4/NEPL**

struttura in nobilitato  
 frontali ecopelle st. coccodrillo lucido  
 structure in faced panel  
 frontals in synth. croc printed  
 glossy leather  
 L150 x P66 x H100 cm

**5BCS5**



**5BCS5/NS**

struttura in nobilitato  
 frontali skay  
 structure in faced panel  
 frontals in skay leather  
 L100 x P66 x H100 cm

**5BCS5/NSL**

struttura in nobilitato  
 frontali skay lucida  
 structure in faced panel  
 frontals in skay glossy leather  
 L100 x P66 x H100 cm

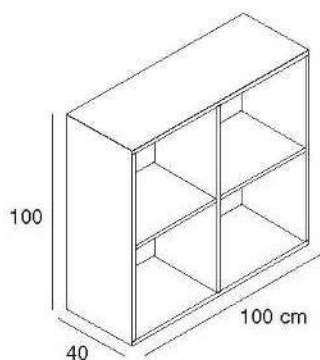
**5BCS5/NEP**

struttura in nobilitato  
 frontali ecopelle st. coccodrillo  
 structure in faced panel  
 frontals in synth. croc printed  
 leather  
 L100 x P66 x H100 cm

**5BCS5/NEPL**

struttura in nobilitato  
 frontali ecopelle st. coccodrillo lucido  
 structure in faced panel  
 frontals in synth. croc printed  
 glossy leather  
 L100 x P66 x H100 cm

**MODULO RETRO CASSA**  
**BACK-CASH MODULE**



**5RC/N**

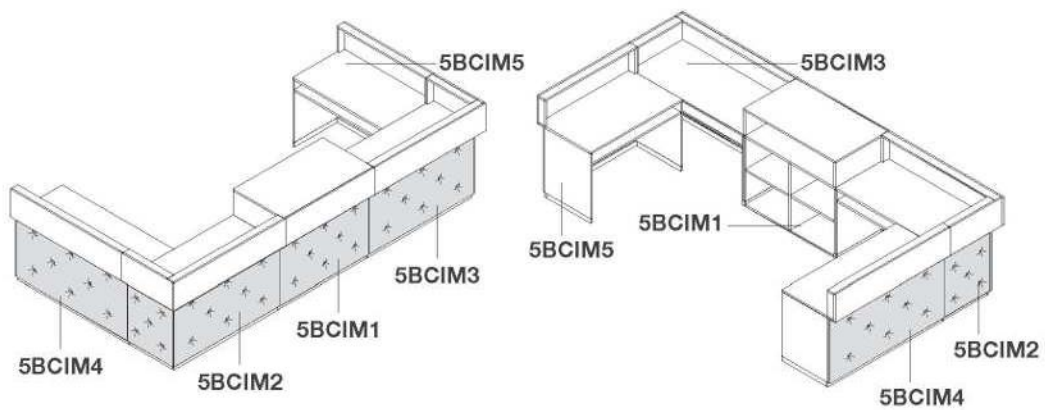
nobilitato  
 faced panel  
 L100 x P40 x H100 cm

**5RC/NL**

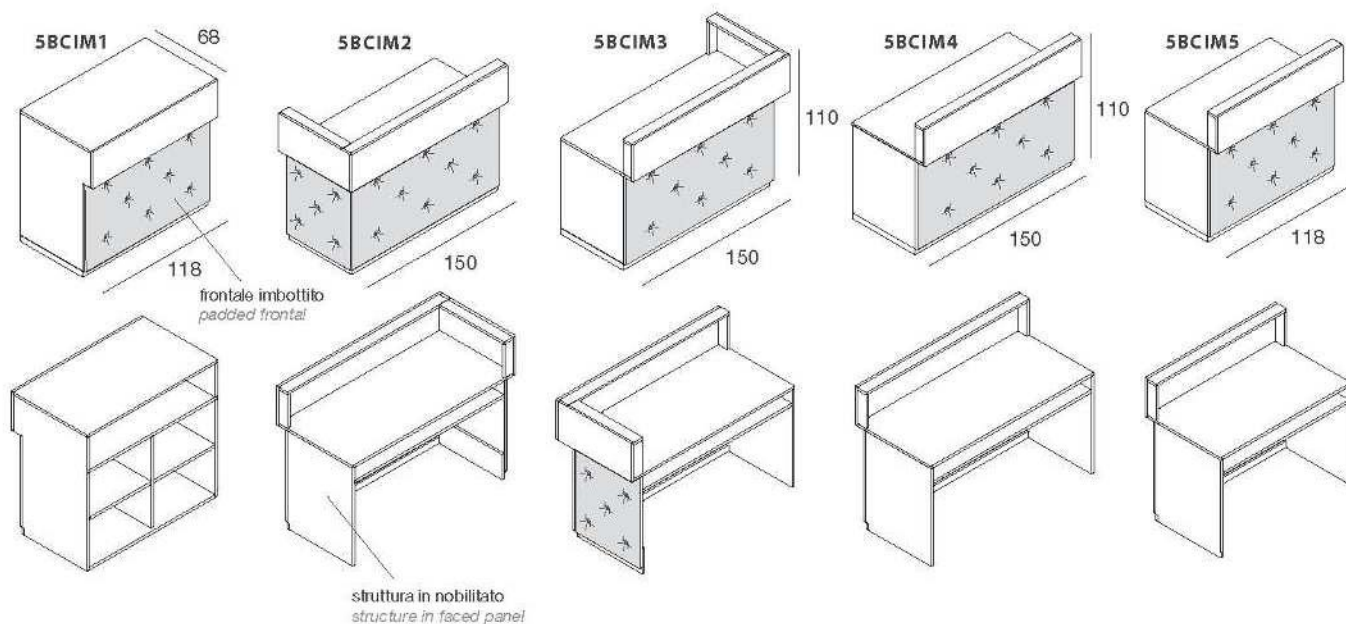
nobilitato lucido  
 glossy faced panel  
 L100 x P40 x H100 cm



FRONTALE IMBOTTITO  
PADDED FRONTAL



**BANCHI CASSA CON FRONTALE IMBOTTITO**  
**CASH COUNTERS WITH PADDED FRONTAL**



**5BCIM1/NS**

struttura in nobilitato  
 frontali skay  
 structure in faced panel  
 frontals in skay leather  
 L118 x P68 x H110 cm

**5BCIM2/NS**

struttura in nobilitato  
 frontali skay  
 structure in faced panel  
 frontals in skay leather  
 L150 x P68 x H100 cm

**5BCIM3/NS**

struttura in nobilitato  
 frontali skay  
 structure in faced panel  
 frontals in skay leather  
 L150 x P68 x H100 cm

**5BCIM4/NS**

struttura in nobilitato  
 frontali skay  
 structure in faced panel  
 frontals in skay leather  
 L150 x P68 x H100 cm

**5BCIM5/NS**

struttura in nobilitato  
 frontali skay  
 structure in faced panel  
 frontals in skay leather  
 L118 x P68 x H110 cm

**5BCIM1/NSL**

struttura in nobilitato  
 frontali skay lucida  
 structure in faced panel  
 frontals in skay glossy leather  
 L118 x P68 x H110 cm

**5BCIM2/NSL**

struttura in nobilitato  
 frontali skay lucida  
 structure in faced panel  
 frontals in skay glossy leather  
 L150 x P68 x H100 cm

**5BCIM3/NSL**

struttura in nobilitato  
 frontali skay lucida  
 structure in faced panel  
 frontals in skay glossy leather  
 L150 x P68 x H100 cm

**5BCIM4/NSL**

struttura in nobilitato  
 frontali skay lucida  
 structure in faced panel  
 frontals in skay glossy leather  
 L150 x P68 x H100 cm

**5BCIM5/NSVL**

struttura in nobilitato  
 frontali skay lucida  
 structure in faced panel  
 frontals in skay glossy leather  
 L118 x P68 x H110 cm

**5BCIM1/NEP**

struttura in nobilitato  
 frontali ecopelle st. coccodrillo  
 structure in faced panel  
 frontals in synth. croc printed  
 leather  
 L118 x P68 x H110 cm

**5BCIM2/NEP**

struttura in nobilitato  
 frontali ecopelle st. coccodrillo  
 structure in faced panel  
 frontals in synth. croc printed  
 leather  
 L150 x P68 x H100 cm

**5BCIM3/NEP**

struttura in nobilitato  
 frontali ecopelle st. coccodrillo  
 structure in faced panel  
 frontals in synth. croc printed  
 leather  
 L150 x P68 x H100 cm

**5BCIM4/NEP**

struttura in nobilitato  
 frontali ecopelle st. coccodrillo  
 structure in faced panel  
 frontals in synth. croc printed  
 leather  
 L150 x P68 x H100 cm

**5BCIM5/NEP**

struttura in nobilitato  
 frontali ecopelle st. coccodrillo  
 structure in faced panel  
 frontals in synth. croc printed  
 leather  
 L118 x P68 x H110 cm

**5BCIM1/NEPL**

struttura in nobilitato  
 frontali ecopelle st. coccodrillo  
 lucido  
 structure in faced panel  
 frontals in synth. croc printed  
 glossy leather  
 L118 x P68 x H110 cm

**5BCIM2/NEPL**

struttura in nobilitato  
 frontali ecopelle st. coccodrillo  
 lucido  
 structure in faced panel  
 frontals in synth. croc printed  
 glossy leather  
 L150 x P68 x H100 cm

**5BCIM3/NEPL**

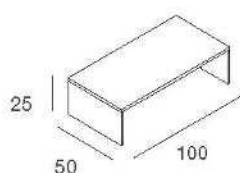
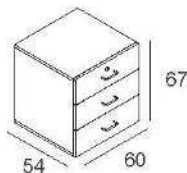
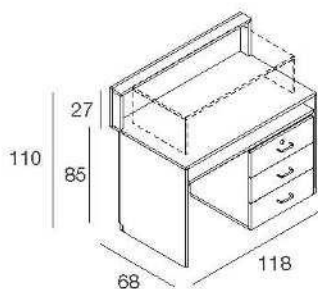
struttura in nobilitato  
 frontali ecopelle st. coccodrillo  
 lucido  
 structure in faced panel  
 frontals in synth. croc printed  
 glossy leather  
 L150 x P68 x H100 cm

**5BCIM4/NEPL**

struttura in nobilitato  
 structure in faced panel  
 L150 x P68 x H100 cm

**5BCIM5/NEPL**

struttura in nobilitato  
 frontali ecopelle st. coccodrillo  
 lucido  
 structure in faced panel  
 frontals in synth. croc printed  
 glossy leather  
 L118 x P68 x H110 cm



**5CAS/N**

cassettiera  
 nobilitato  
 chest of drawers  
 faced panel  
 L60 x P54 x H67 cm

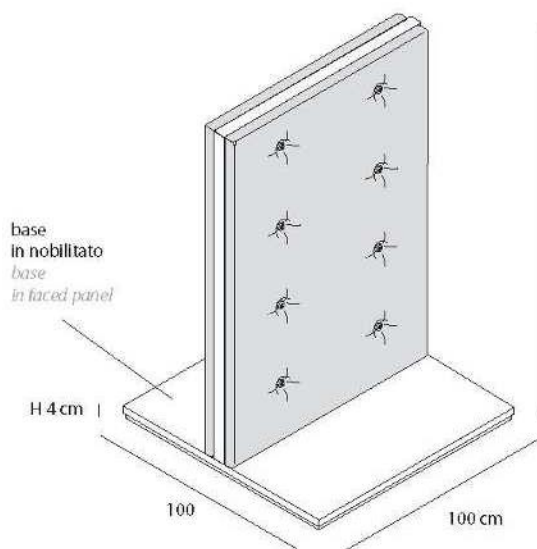
**5PR/N**

piano rialzato  
 nobilitato  
 raised surface  
 faced panel  
 L100 x P50 x H25 cm



**ISOLA AUTOPORTANTE IMBOTTITA - FREESTANDING ISLAND PADDED FRONTAL**

**FRONTALE IMBOTTITO  
PADDED FRONTAL**



**5IS/S**

isola  
base e struttura in nobilitato  
frontali in skay  
isola  
base and structure in faced panel  
fronts in skay leather  
L100 x P100 x H150 cm

**5IS/EP**

isola  
base e struttura in nobilitato  
frontali in ecopelle st. coccodrillo  
isola  
base and structure in faced panel  
fronts in synthetic croc printed leather  
L100 x P100 x H150 cm

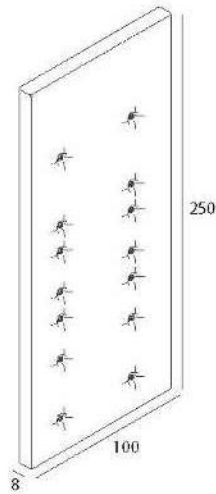
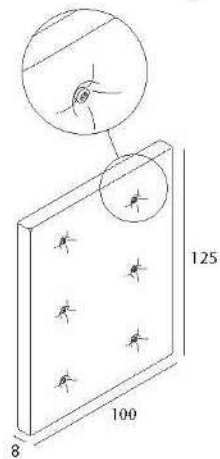
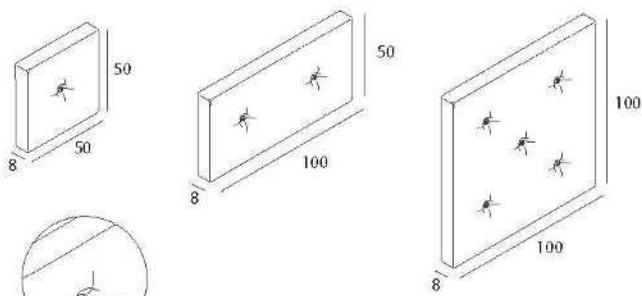
**5IS/SL**

isola  
base e struttura in nobilitato  
frontali in skay lucida  
isola  
base and structure in faced panel  
fronts in skay glossy leather  
L100 x P100 x H150 cm

**5IS/EPL**

isola  
base e struttura in nobilitato  
frontali in ecopelle st. coccodrillo lucido  
isola  
base and structure in faced panel  
fronts in synthetic croc printed glossy leather  
L100 x P100 x H150 cm

**PANNELLI ATTREZZABILI IMBOTTITI**  
EQUIPABLE PADDED PANELS



pannelli skay  
*skay leather*

**5PA1/S**  
L50 x P8 x H50 cm

**5PA2/S**  
L100 x P8 x H50 cm

**5PA3/S**  
L100 x P8 x H100 cm

**5PA4/S**  
L100 x P8 x H125 cm

**5PA5/S**  
L100 x P8 x H250 cm

pannelli skay lucida  
*skay glossy leather*

**5PA1/SL**  
L50 x P8 x H50 cm

**5PA2/SL**  
L100 x P8 x H50 cm

**5PA3/SL**  
L100 x P8 x H100 cm

**5PA4/SL**  
L100 x P8 x H125 cm

**5PA5/SL**  
L100 x P8 x H250 cm

pannelli ecopelle st. coccodrillo  
*panels coated in synth. croc printed leather*

**5PA1/EP**  
L50 x P8 x H50 cm

**5PA2/EP**  
L100 x P8 x H50 cm

**5PA3/EP**  
L100 x P8 x H100 cm

**5PA4/EP**  
L100 x P8 x H125 cm

**5PA5/EP**  
L100 x P8 x H250 cm

pannelli ecopelle st. coccodrillo lucido  
*panels coated in synth. croc printed glossy leather*

**5PA4/EPL**  
L50 x P8 x H50 cm

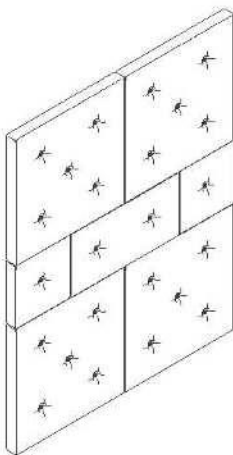
**5PA4/EPL**  
L100 x P8 x H50 cm

**5PA4/EPL**  
L100 x P8 x H100 cm

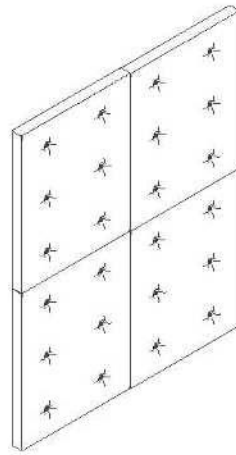
**5PA4/EPL**  
L100 x P8 x H125 cm

**5PA4/EPL**  
L100 x P8 x H250 cm

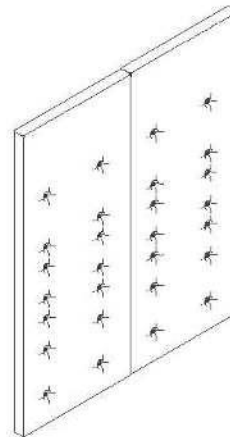
**PANNELLI IMBOTTITI - COMPOSIZIONI**  
PADDED PANELS - COMPOSITIONS



H 50 / 100 cm



H 125 cm

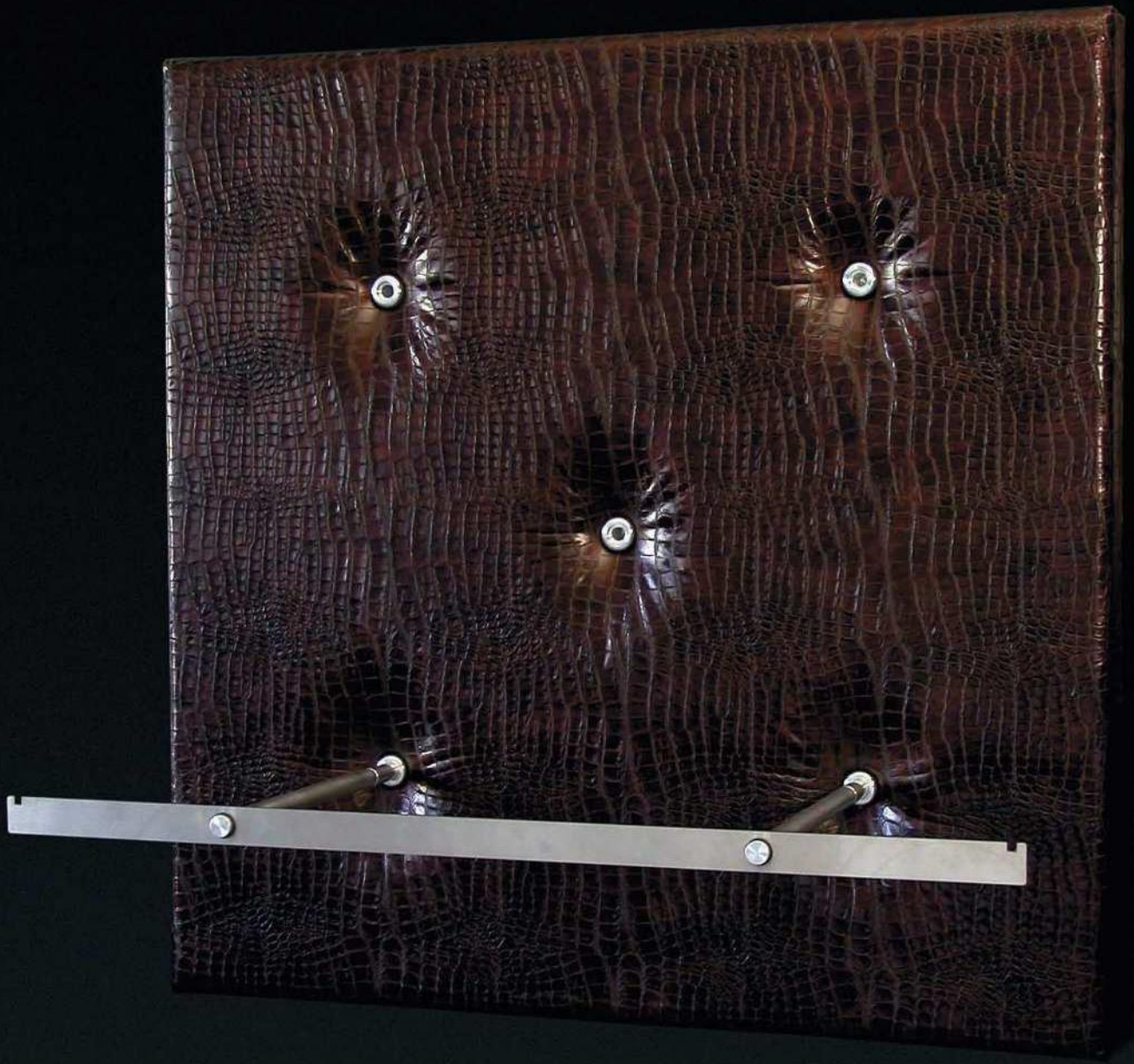


H 250 cm



FRONTALE IMBOTTITO  
*PADDED FRONTAL*





FRONTALE IMBOTTITO  
PADDED FRONTAL

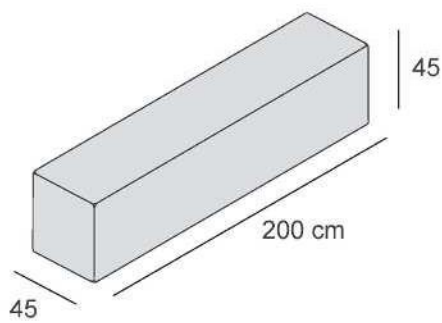








**POUF IMBOTTITI**  
**PADDED POUF**



**5POU1/S**

skay  
skay leather  
L200 x P45 x H45 cm

**5POU1/SL**

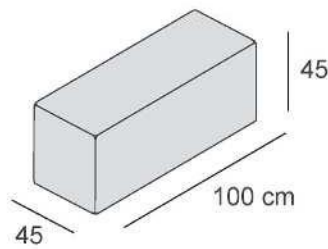
skay lucida  
skay glossy leather  
L200 x P45 x H45 cm

**5POU1/EP**

ecopelle st. cocodrillo  
synth. croc printed leather  
L200 x P45 x H45 cm

**5POU1/EPL**

ecopelle st. cocodrillo lucido  
synth. croc printed glossy leather  
L200 x P45 x H45 cm



**5POU2/S**

skay vernice lucida  
skay glossy leather  
L100 x P45 x H45 cm

**5POU2/SL**

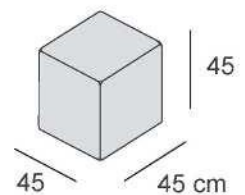
skay lucida  
skay glossy leather  
L100 x P45 x H45 cm

**5POU2/EP**

ecopelle st. cocodrillo  
synth. croc printed leather  
L100 x P45 x H45 cm

**5POU2/EPL**

ecopelle st. cocodrillo lucido  
synth. croc printed glossy leather  
L100 x P45 x H45 cm



**5POU3/S**

skay vernice lucida  
skay glossy leather  
L45 x P45 x H45 cm

**5POU3/SL**

skay lucida  
skay glossy leather  
L45 x P45 x H45 cm

**5POU3/EP**

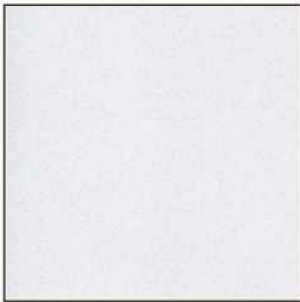
ecopelle st. cocodrillo  
synth. croc printed leather  
L45 x P45 x H45 cm

**5.POU3/EPL**

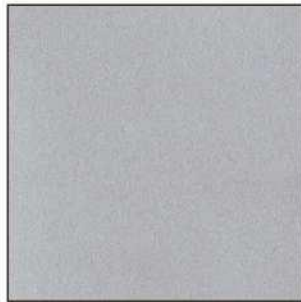
ecopelle st. cocodrillo lucido  
synth. croc printed glossy leather  
L45 x P45 x H45 cm

**CARTELLA COLORI - COLOUR CARD**

**NOBILITATI - FACED PANELS**



BIANCO  
WHITE



GRIGIO SILVER  
SILVER GREY



NERO  
BLACK



LAMIERA OSSIDATA  
OXIDIZED SHEET



ABETE VISSUTO BIANCO  
WHITE VINTAGE FIR



ABETE NODATO  
KNOTTED FIR



ROVERE AMERICANO  
AMERICAN OAK



EBANO PRECOMPOSTO  
EBONY VENEERED PLYWOOD



WENGE  
WENGE

**ECOPELLE STAMPA COCCODRILLO - SYNTHETIC CROC PRINTED LEATHER**



BIANCO  
WHITE



BEIGE  
BEIGE



CASTAGNO  
CHESTNUT



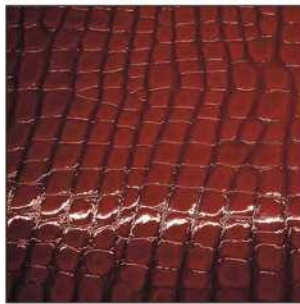
NERO  
BLACK

**CARTELLA COLORI - COLOUR CARD**

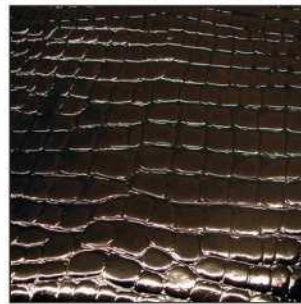
**ECOPELLE STAMPA COCCODRILLO LUCIDO - SYNTHETIC CROC PRINTED GLOSSY LEATHER**



AVORIO  
IVORY



ROSSO RUBINO  
RUBY RED



TESTA DI MORO  
DARK BROWN



GRIGIO  
GREY

**SKAY - SKAY LEATHER**



BIANCO  
WHITE



BEIGE  
BEIGE



TESTA DI MORO  
DARK BROWN



NERO  
BLACK

**SKAY LUCIDA - SKAY GLOSSY LEATHER**



BIANCO  
WHITE

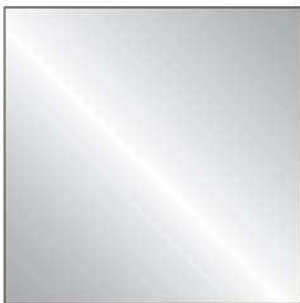


NERO  
BLACK

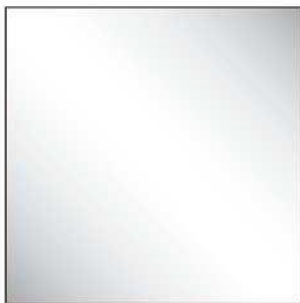


ROSSO  
RED

**PLEXIGLASS**



TRASPARENTE  
CLEAR



SATINATO  
SATINIZED

**MANICHINISTORE.it**

Via C.Marx, n°144 - 41012 Carpi MO - Italy    Tel. +39 059 641881 Fax +39 059 621977  
[www.manichinistore.it](http://www.manichinistore.it)    [info@manichinistore.it](mailto:info@manichinistore.it)